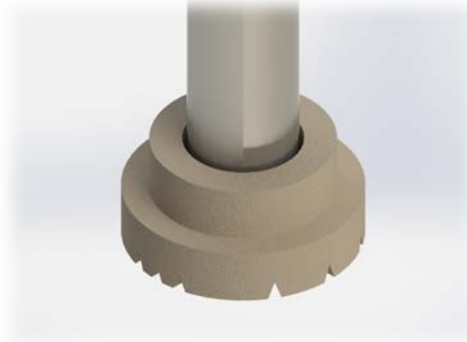
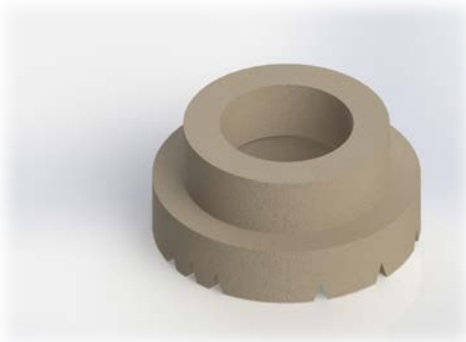
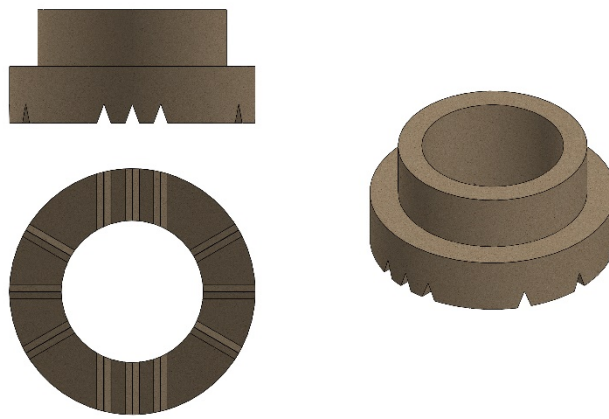


PF (P) - 6	PF (P) - 8	PF (P) - 10	PF (P) - 12	PF (P) - 16	PF (P) - 20	PF (P) - 24
------------	------------	-------------	-------------	-------------	-------------	-------------

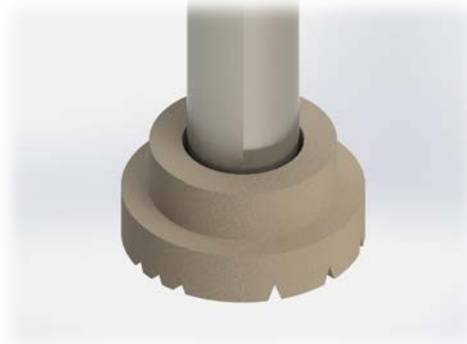


PF (P) - 10

FERRULES
TYPE
FORMER
MARK
SHANK
DIAMETER



RF (R) - 6	RF (R) - 8	RF (R) - 10	RF (R) - 12	RF (R) - 16	RF (R) - 20	RF (R) - 24
------------	------------	-------------	-------------	-------------	-------------	-------------

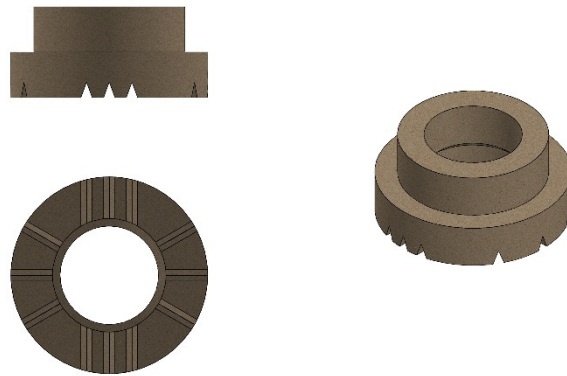


RF (R) - 10

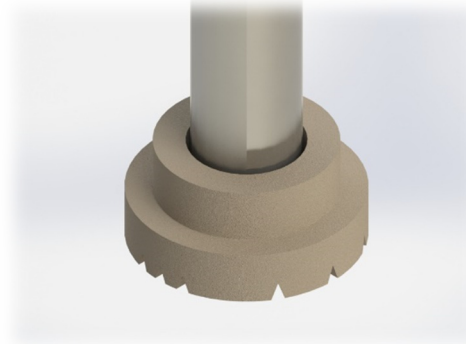
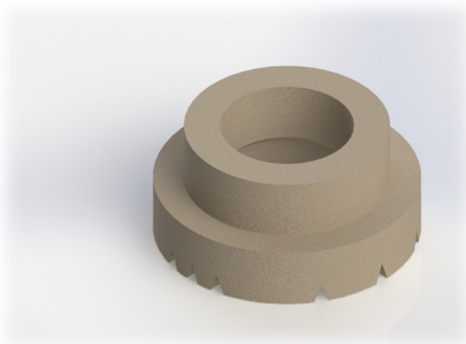
FERRULES
TYPE

FORMER
MARK

SHANK
DIAMETER

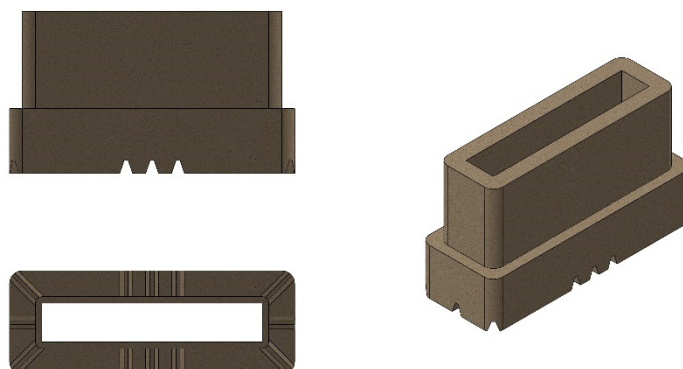


UF (N) - 6 / UF (N) - 8 / UF (N) - 10 / UF (N) - 12 / UF (N) - 13 / UF (N) - 16 / UF (N) - 19 / UF (N) - 22 / UF (N) - 25

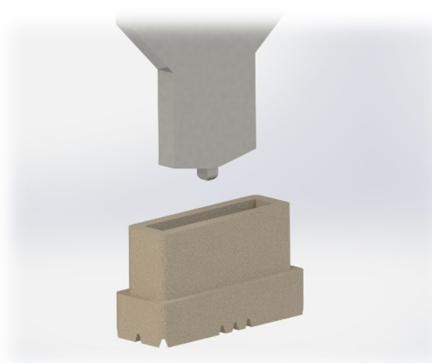
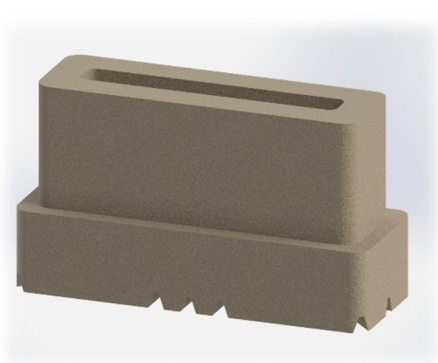


UF (N) - 10

FERRULES TYPE	FORMER MARK	SHANK DIAMETER
------------------	----------------	-------------------

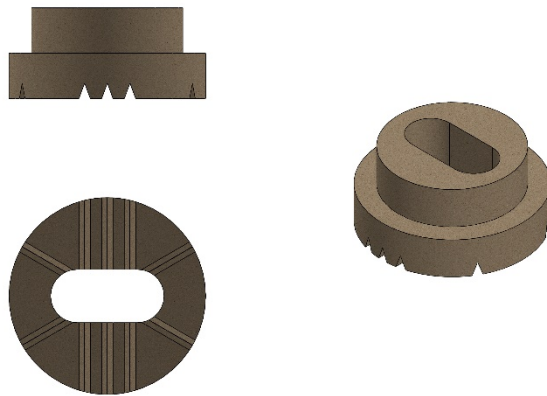


KF 15 x 3	KF 15 x 5	KF 16 x 4	KF 25 x 3	KF 25 x 5
-----------	-----------	-----------	-----------	-----------

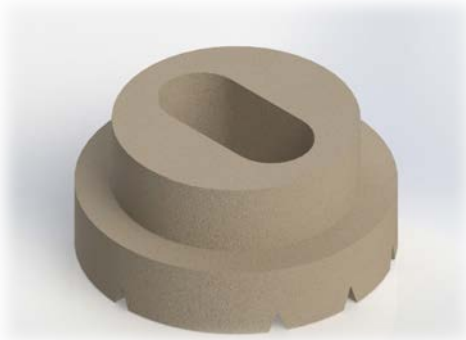


KF
 FERRULES
 TYPE

15 x **3**
 ANCHOR
 WIDTH
 ANCHOR
 THICKNESS

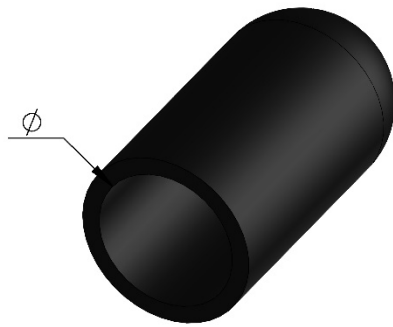


KFW 11 x 5	KFW 13 x 6	KFW 17 x 8
------------	------------	------------



KFW 13 x 6

FERRULES
TYPE
ANCHOR
WIDTH
ANCHOR
DIAMETER



PLASTIC CAP

For round bar Anchors and Threaded Stud